

EXPLOSIMETRIC SENSING HEAD TYPE EKP-1/N

The explosimetric sensing head type EKP-1/N is designed to detect and measure most combustible gases and vapours of flammable liquids in hazardous areas in metrological range to 100% lower explosive limit LEL. It is specified in the EC-type examination certificate number:

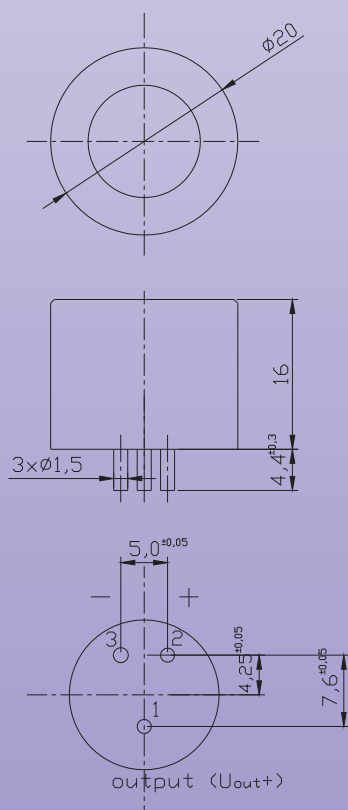
FTZÚ 05 ATEX 0371X

Ex II 2G EEx d ia IIC T5

The present features of approval according to obligatory standards are fulfilled (certification pending).



TECHNICAL DATA EKP-1/N



dimensions: mm

Designation: Explosimetric sensing head EKP-1/N
Detected gases: most combustible gases and vapours in 100% LEL range

Marking: **Ex II 2G EEx d ia IIC T5**

Max. power: 1W

Detecting sensors: pellistors type PC-31xx
CE-type examination certificate KDB 04 ATEX 271U

Ex I M1 EEx ia I

Ex II 2G EEx ia II (CH₄)

Supply voltage: (3,0 ÷ 3,3) V DC (depending of the detected medium)

Supply current: ≤ 60mA

Output sensitivity: 20mV/% CH₄ V/V (min.)

Temperature range: -20°C ÷ +40°C

Relative humidity: to 95% rH without condensation

Dimensions: $\phi 20 \times 16$ mm

Weight: 25g

In order to receive additional information and cooperation in scope of heads' designing, construction examinations etc. you are asked to contact our establishment.